



כיסוי מגן THERMOWELLS

Our thermowells are manufactured to accept standard or custom made thermometers, thermocouples, bulbs and RTDs.

Built up

This fabricated thermowells suitable for low and medium process loads, that might occur as a result of flow, temperature and process pressure influences or vibrations.

Thermowells are available in virtually any material to fit your application.

Some of the materials available include:

- 316 stainless steel
- 316 stainless steel
- Titanium
- Tantalom
- Hastelloy B and C
- Coated PFA

Process Connection: External means to connect thermowell to process system. Wells can be threaded, bolted (to matching flange), clamped, or welded in place.

Instrument Connection: Internal threads to connect temperature instrument to thermowell.

“U” Dimension: Length of thermowell immersed into process system. Measured from the base of the process connection to the end tip of the well.

“T” Dimension: Also called “lag length” or “lagging extension”. Extends length between the instrument and process connections to accommodate vessel or piping insulation.

“A” Dimension: Instrument insertion length into thermowell. Equal to bore length.

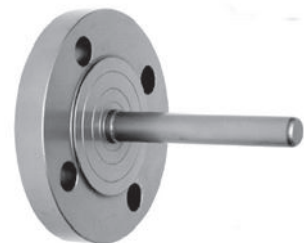
TW11



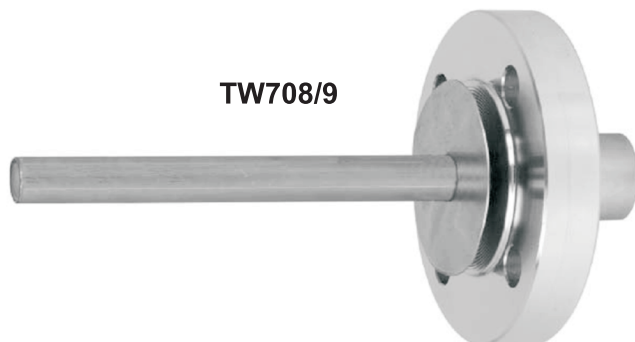
TW701



TW702



TW708/9



Thermowell special coated